

Dated: 05.02.2019

CORRIGENDUM#1

TO

BIDDING DOCUMENT

BIDDING DOCUMENT NO. : MEC/23R8/01/51/D2/T03/ER/6509

SUBJECT OF BIDDING DOCUMENT : LAYING OF UNDER GROUND PE PIPE LINES AND ABOVEGROUND GI INSTALLATIONS INCLUDING LAST MILE CONNECTIVITY AT CONSUMER END

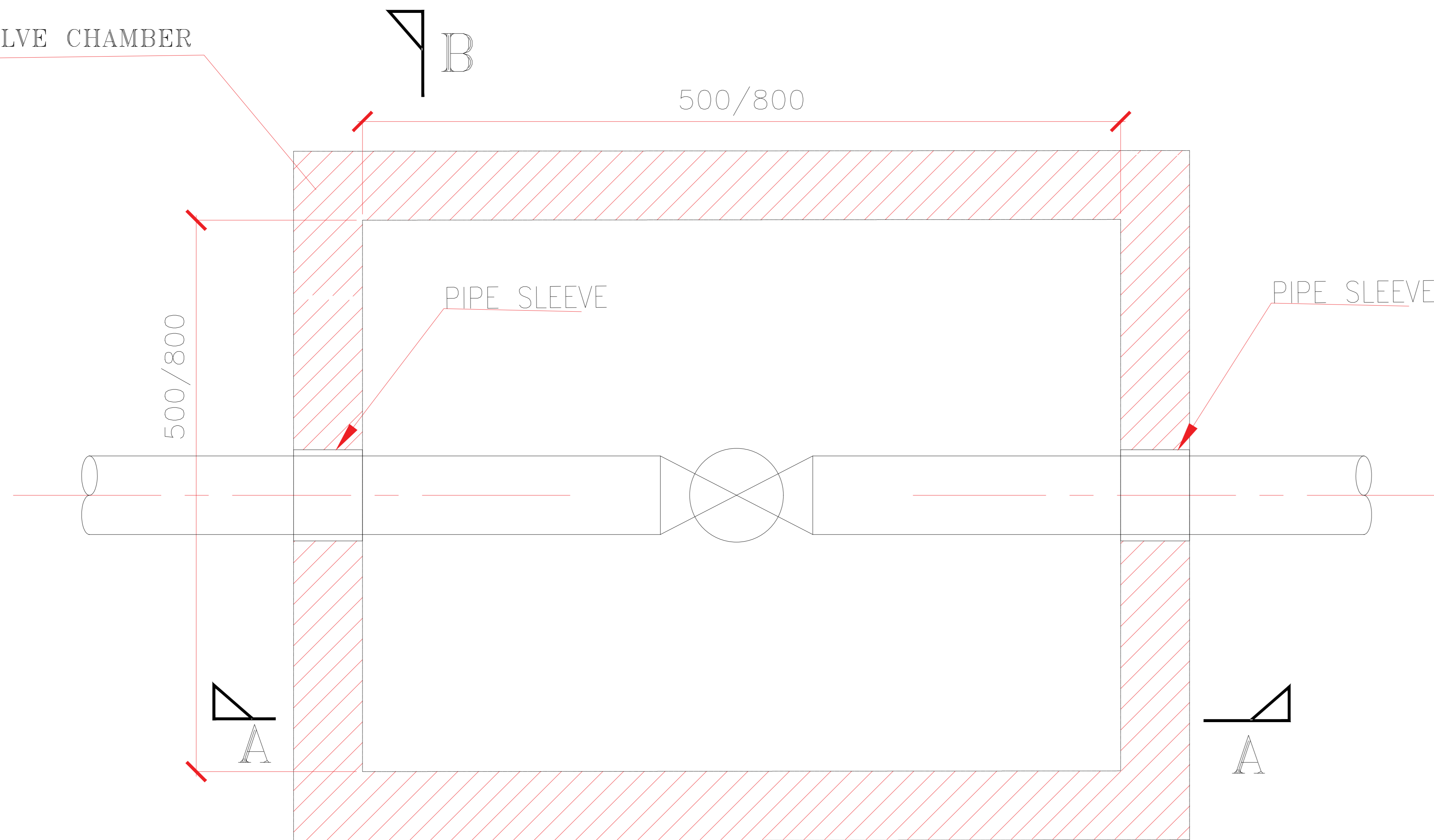
The terms and conditions of the Bidding Document stands modified to the extent indicated below and all other terms and conditions of the Bidding Document remains unaltered:

Sn. No.	PART of Bidding Document	Section	Page No.	Clause No.	Clause Description	Additions / Deletions / Modifications
1.	I	INSTRUCTIONS TO BIDDERS [ITB] - Annexure-II : Bid Data Sheet (BDS)	52	37	Contract Performance Guarantee / Security Deposit	Bidder will provide Performance Guarantee of 10% of Contract/Order value within 30 days of date of issue of FOA or 5% of Contract/Order value within 30 days of date of issue of FOA and balance to be deducted against each RA bills till balance 5% is deducted. This deducted amount can be released/deduction can be stopped against submission of bank guarantee of equivalent amount. The contract performance bank guarantee shall be valid 03(three) months beyond the expiry of defect liability period.
2.	III	Drawings	-	-	Tender Drawings	Attached drawing for RCC Valve Pit.

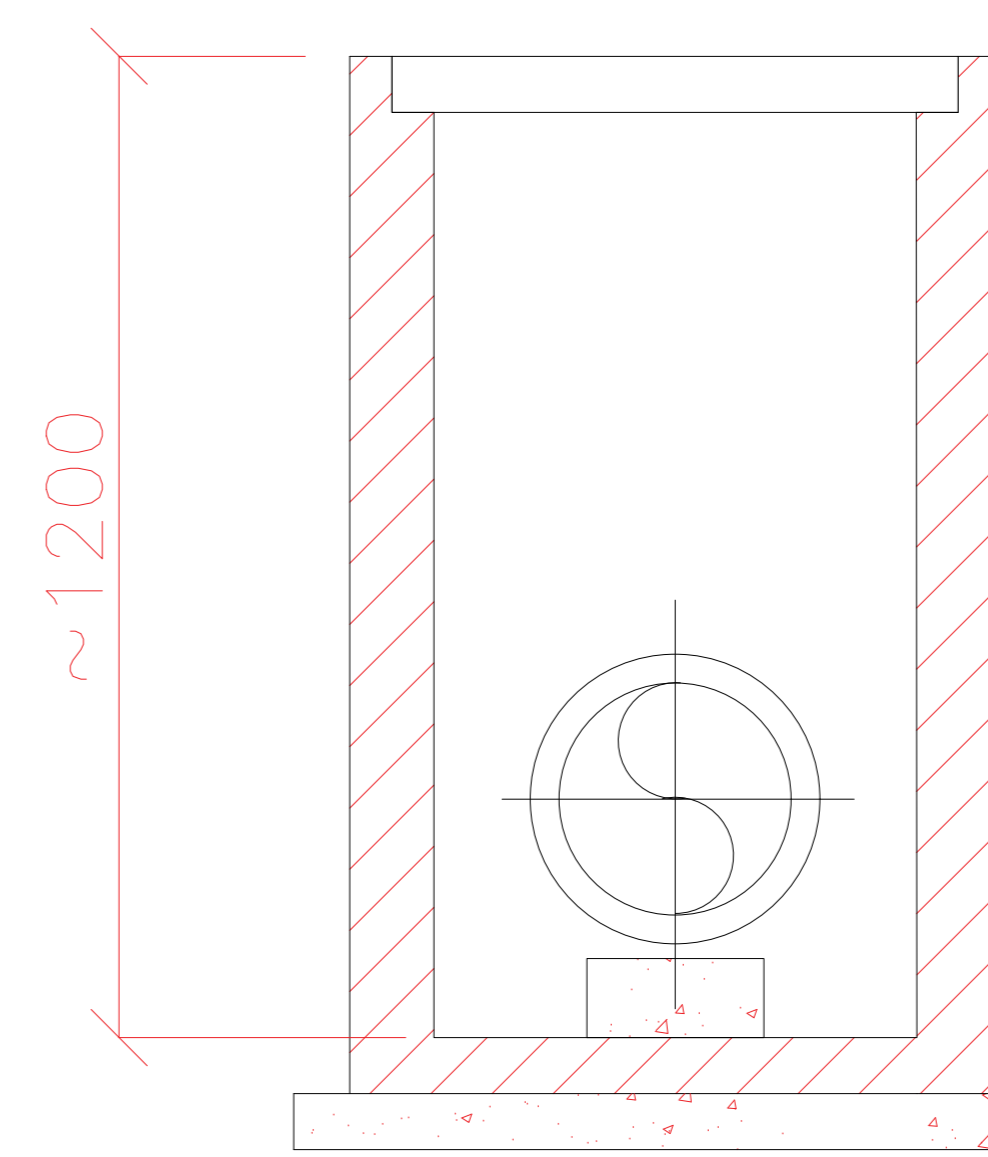
Note: This Corrigendum shall form an integral part of the bidding document and shall be signed/stamped and submitted along with the bid.

(STAMP & SIGNATURE OF BIDDER)

RCC VALVE CHAMBER

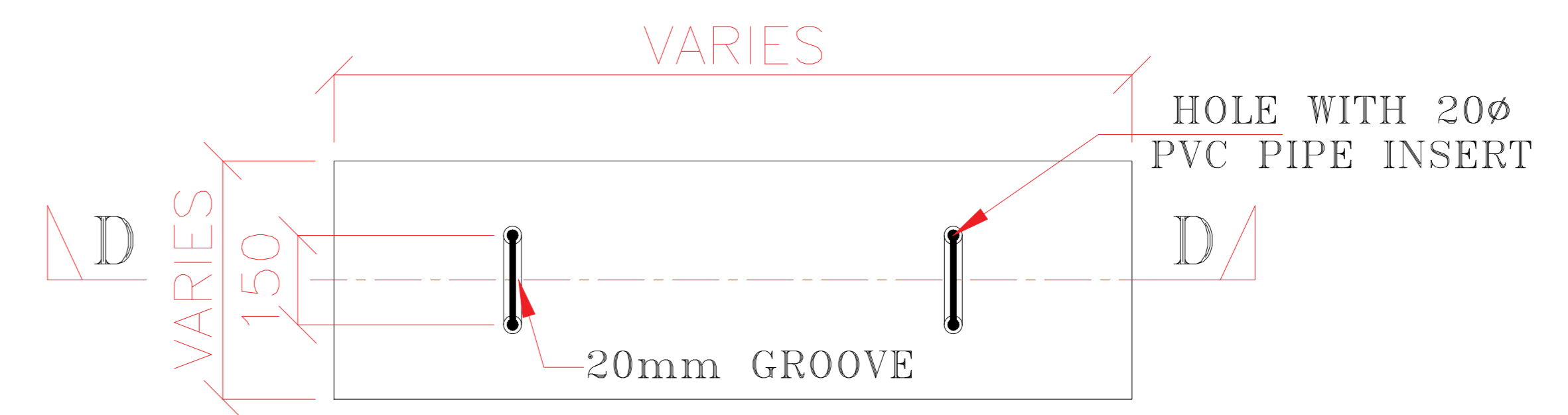


PLAN

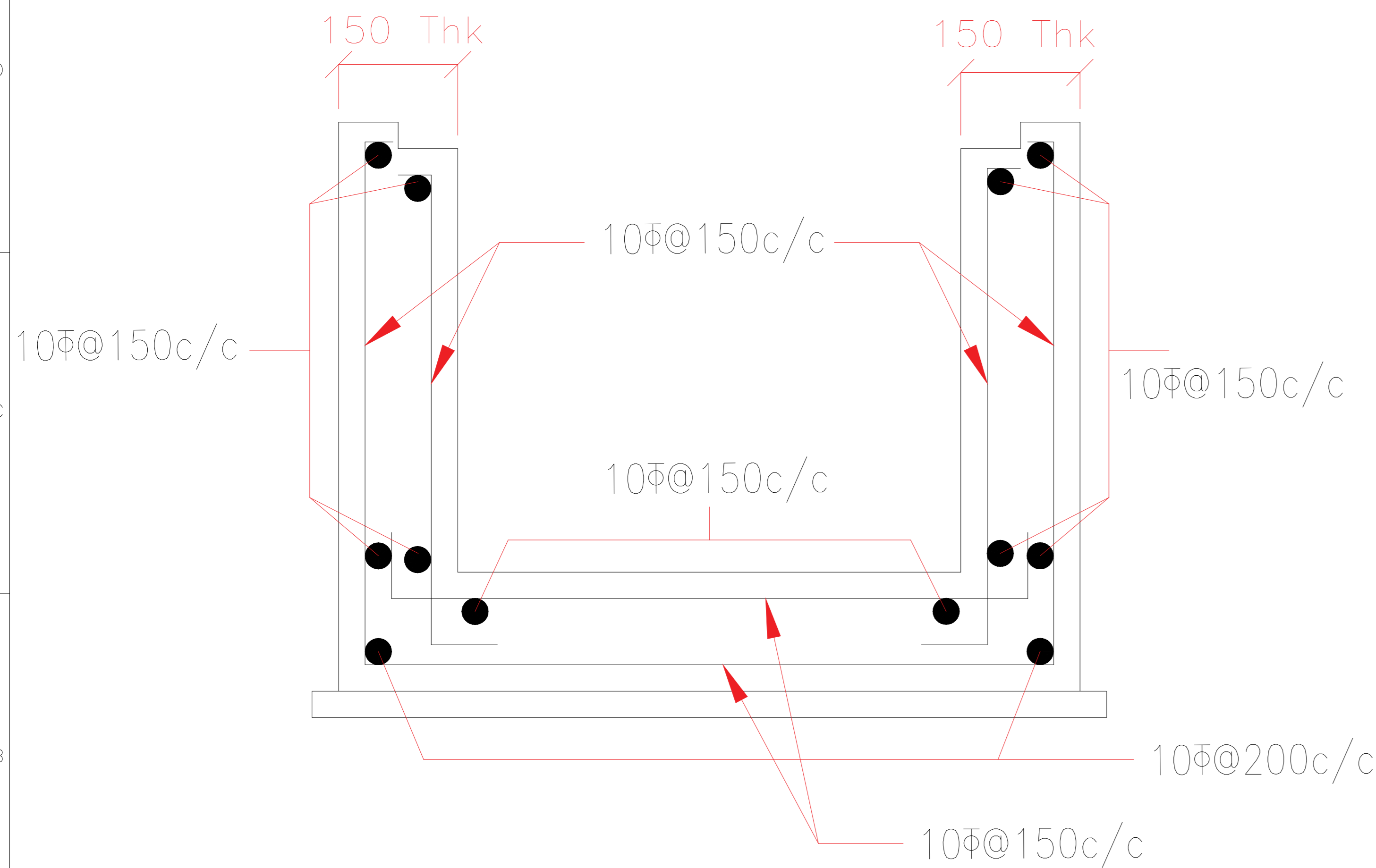


VIEW B-B
(SHUTTERING)

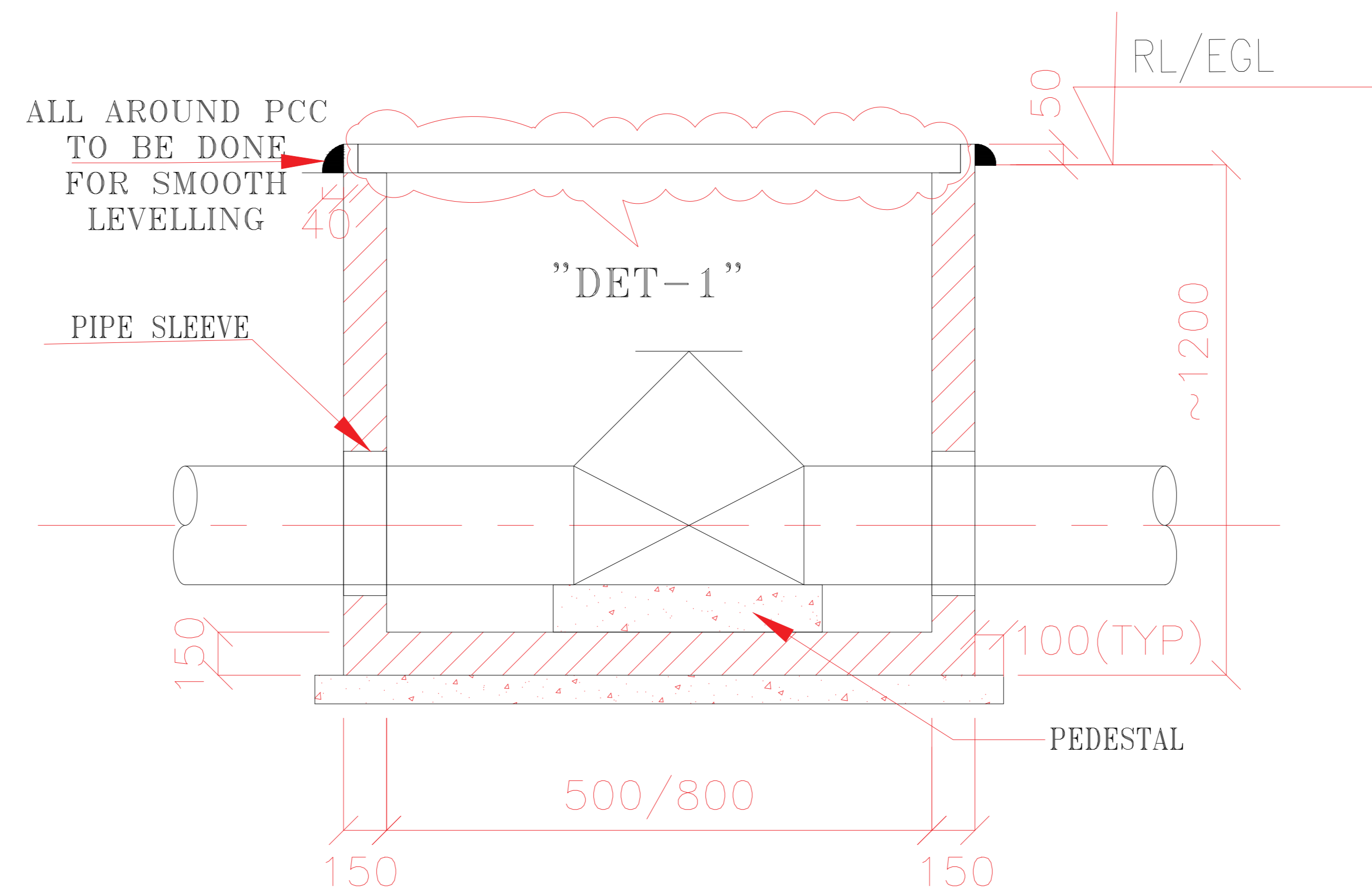
GRADE OF RCC CONCRETE M-30
GRADE OF PCC CONCRETE M-15
GRADE OF STEEL Fe-500



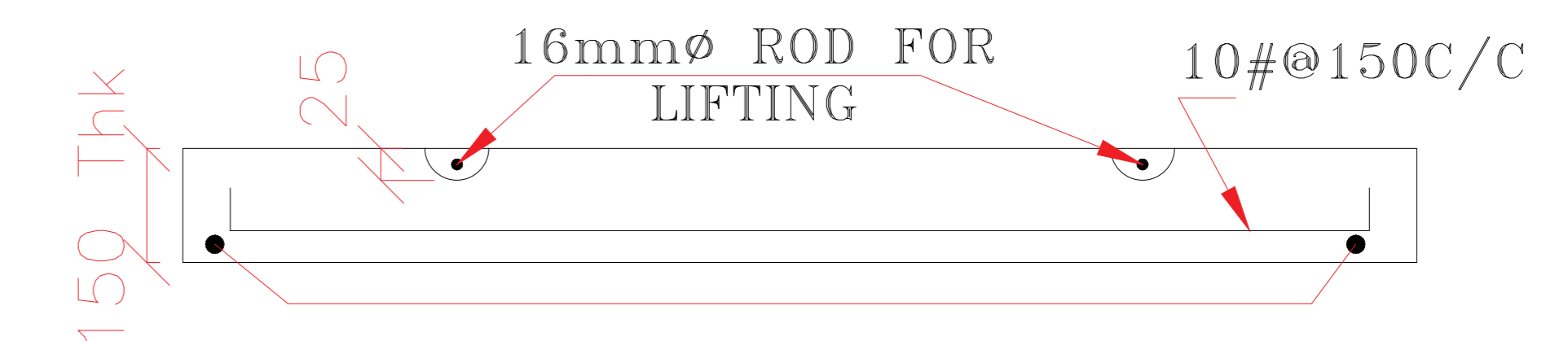
PLAN OF PRECAST COVER SLAB



VIEW A-A
(REINFORCEMENT)



VIEW A-A
(SHUTTERING)



SECTION D-D

SUBMITTED FOR:			
PRELIM./PLANNING	APPROVAL	INFORMATION	CONSTRUCTION <input checked="" type="checkbox"/>

CLIENT		BHAGYANAGAR GAS LIMITED
ENGINEERING CONSULTANT		मेकॉन लिमिटेड MECON LIMITED
SECTION	CIVIL	CITY GAS DISTRIBUTION WORK AT HYDERABAD/VIJAYAWADA/KAKINADA
LOCATION	BANGALORE	RCC VALVE PIT (TYPICAL)
DESIGNED	HMV	DETAILS (SHUTTERING & RCC DETAILS)
DRAWN	S.SARANRAJ	SCALE-1:50
CHECKED & VERIFIED	P.S	SHEET 1 OF 1
APPROVED	K.N RAJU DGM(I/C)	DRG.NO:MEC/23R8/01/11/D4/PE/2509/SK1/A3
DATED:	20/12/2018	RO

NOTES.



- ALL DIMENSIONS ARE IN MM. UNLESS OTHERWISE SPECIFIED.
- CLEAR COVER TO MAIN REINFORCEMENT SHALL BE
 - FOR SLAB=20MM.
- INSIDE WALLS SHALL BE PLASTERED USING CM 1:4 OF 6mm THK.

REFERENCES

©2019 MECON Limited. All rights reserved.
THIS DRAWING IS THE PROPERTY OF MECON AND IS ISSUED FOR THE SPECIFIC PROJECT MENTIONED THEREIN.
THIS IS NOT TO BE COPIED OR USED FOR OTHER PROJECTS UNLESS EXPRESSLY PERMITTED BY MECON.

REV.No.	DATE	ZONE	DESCRIPTION	BY	VERIFIED

CONCURRED BY:



 <p>Bhagyanagar Gas Ltd.</p>	<p>BHAGYANAGAR GAS LIMITED</p> <p>CITY GAS DISTRIBUTION PROJECT AT HYDERABAD, VIJAYAWADA AND KAKINADA</p> <p>LAYING OF UNDER GROUND PE PIPE LINES AND ABOVEGROUND GI INSTALLATIONS INCLUDING LAST MILE CONNECTIVITY AT CONSUMER END</p>	
---	--	---

BID DOCUMENT NO. MEC/23R8/01/51/D2/T03/ER/6509

PRE-BID MEETING HELD AT BHAGYANAGAR GAS LIMITED, HYDERABAD ON 29.01.2019 AT 11:30 HRS

CLARIFICATIONS TO PRE-BID QUERIES GIVEN BY BGL / MECON

SL. No.	Clause No. as per Tender	Bidders Query / Clarification	BGL/ MECON's CLARIFICATIONS
1)	Contract Performance Bank Guarantee (CPBG)	We appeal for bifurcate PBG amount in two slices i.e. 5% in PBG format and remaining 5% by recovery from our RA bills (@5% of the bill amount till the full PBG amount is recovered) to avoid the liquidity problem in project.	Refer Corrigendum#1
2)	Approved Makes	We like to request you to register our company M/s Mehta Brothers & Co. as approved vendor for supply of GI Fittings (Jinan Meide make) & Isolation & Appliance Valves (Zhejiang Valogin Tech Co. make) as you do for your other project.	<p><u>Isolation Valves & Appliance Valves</u></p> <p>1. M/s. Zhejiang Valogin Technology Co. Ltd., China stands added as approved vendor for Isolation Valves & Appliance Valves.</p> <p>2. M/s Ningbo Huaping Metal work Co. Ltd., China stands added as approved vendor for Isolation Valves & Appliance Valves.</p>



 Bhagyanagar Gas Ltd.	BHAGYANAGAR GAS LIMITED CITY GAS DISTRIBUTION PROJECT AT HYDERABAD, VIJAYAWADA AND KAKINADA LAYING OF UNDER GROUND PE PIPE LINES AND ABOVEGROUND GI INSTALLATIONS INCLUDING LAST MILE CONNECTIVITY AT CONSUMER END	 मेकॉन ISO 9001 Company
---	---	--

BID DOCUMENT NO. MEC/23R8/01/51/D2/T03/ER/6509

PRE-BID MEETING HELD AT BHAGYANAGAR GAS LIMITED, HYDERABAD ON 29.01.2019 AT 11:30 HRS

CLARIFICATIONS TO PRE-BID QUERIES GIVEN BY BGL / MECON

SL. No.	Clause No. as per Tender	Bidders Query / Clarification	BGL/ MECON's CLARIFICATIONS
			<u>GI Fittings</u> 1. M/s Jinan Meide Casting Co. Ltd., Japan stands added as approved vendor for GI Fittings. 2. M/s Ningbo Huaping Metal work Co. Ltd., China stands added as approved vendor for GI fittings.
3)	Bid Submission	We are participating in tender No. MEC/23R8/01/51/D2/T03/ER/6509 for Laying of underground PE pipe lines and aboveground GI installations including last mile connectivity at consumer end at Hyderabad, Kakinada and Vijayawada. Can we submit one set of all documents of 1) Financial criteria and 2) Technical criteria for Bid Evaluation Criteria.	1 set of (Original + 1 Copy) is only required even if the bidder is quoting for all the 3 Cities.
4)	Contract Performance Bank Guarantee (CPBG)	We request you considered our suggestion for 5% contract performance guarantee / security deposit up front and other 5% should be deducted gradually from our running bills.	Refer Corrigendum#1



 Bhagyanagar Gas Ltd.	BHAGYANAGAR GAS LIMITED CITY GAS DISTRIBUTION PROJECT AT HYDERABAD, VIJAYAWADA AND KAKINADA LAYING OF UNDER GROUND PE PIPE LINES AND ABOVEGROUND GI INSTALLATIONS INCLUDING LAST MILE CONNECTIVITY AT CONSUMER END	 मेकॉन ISO 9001 Company
---	---	--

BID DOCUMENT NO. MEC/23R8/01/51/D2/T03/ER/6509

PRE-BID MEETING HELD AT BHAGYANAGAR GAS LIMITED, HYDERABAD ON 29.01.2019 AT 11:30 HRS

CLARIFICATIONS TO PRE-BID QUERIES GIVEN BY BGL / MECON

SL. No.	Clause No. as per Tender	Bidders Query / Clarification	BGL/ MECON's CLARIFICATIONS
5)	Bid Submission	On which Address We have to submit send Tender ?	Refer cl. no. 21.2 Page 51 of ITB (Bidding Data Sheet)
6)	Bid Submission	(2) If we want to submit more than one location, how we have to submit part -I document and Part- II. We have to submit part-I original 3 (Three) time and Xerox Copy three Time or Part -I original single copy, Xerox copy one and which way submit part II (price Bid) for more than one location.	1 set of (Original + 1 Copy) is only required even if the bidder is quoting for all the 3 Cities and shall be as per the provisions of the Tender document.
7)	Form & Formats	We can submit all of Formats on Our Letter Pad F-1 To F-22. On our latter pad From F-1 to F-20 Except bond , Bank guarantee etc.	Shall be as per the requirement of the Tender.
8)	Bid Submission	Please Confirm for this bid is online or offline.	This is a manual Tender and your bid has to be submitted to the office of DGM (I/c) (Contracts) at MECON Ltd., Bengaluru. <u>Refer cl. no. 21 of ITB (Page nos. 38 & 51)</u>
9)	Bid Submission	NSIC Certificate is valid or not as an exemption of submit EMD ?	Refer MSE policy cl. no.39 of ITB (Page no.45)



 Bhagyanagar Gas Ltd.	BHAGYANAGAR GAS LIMITED CITY GAS DISTRIBUTION PROJECT AT HYDERABAD, VIJAYAWADA AND KAKINADA LAYING OF UNDER GROUND PE PIPE LINES AND ABOVEGROUND GI INSTALLATIONS INCLUDING LAST MILE CONNECTIVITY AT CONSUMER END	 मेकॉन ISO 9001 Company
---	---	--

BID DOCUMENT NO. MEC/23R8/01/51/D2/T03/ER/6509

PRE-BID MEETING HELD AT BHAGYANAGAR GAS LIMITED, HYDERABAD ON 29.01.2019 AT 11:30 HRS

CLARIFICATIONS TO PRE-BID QUERIES GIVEN BY BGL / MECON

SL. No.	Clause No. as per Tender	Bidders Query / Clarification	BGL/ MECON's CLARIFICATIONS
10)	Bid Submission	We have to send hard copy of Techno Commercial un price Bid and Price Bid. Or we should upload the Price bid ?	This is a manual Tender and your bid has to be submitted to the office of DGM (I/c) (Contracts) at MECON Ltd., Bengaluru. <u>Refer cl. no. 21 of ITB (Page nos. 38 & 51)</u>
11)	Bid Submission	To take part in this bid, attendance in Pre-bid is compulsory or not? If we have not attend the Pre-bid, than we will submit the tender or not ?	Attending Pre-Bid Meeting is not compulsory. Non-attendance of the Pre-Bid Meeting will not be a cause for disqualification of Bidder. Refer cl. no.17 of ITB (Page nos.36 & 37)
12)	Bid due date	We request you to kindly extend the tender up to 10 days for preparation of best price.	There will be no extension in the due date of submission

 <p>Bhagyanagar Gas Ltd.</p>	<p>BHAGYANAGAR GAS LIMITED</p> <p>CITY GAS DISTRIBUTION PROJECT AT HYDERABAD, VIJAYAWADA AND KAKINADA</p> <p>LAYING OF UNDER GROUND PE PIPE LINES AND ABOVEGROUND GI INSTALLATIONS INCLUDING LAST MILE CONNECTIVITY AT CONSUMER END</p>	 <p>मेकॉन ISO 9001 Company</p>
---	--	---

BID DOCUMENT NO. MEC/23R8/01/51/D2/T03/ER/6509

PRE-BID MEETING HELD AT BHAGYANAGAR GAS LIMITED, HYDERABAD ON 29.01.2019 AT 11:30 HRS

CLARIFICATIONS TO PRE-BID QUERIES GIVEN BY BGL / MECON

SL. No.	Clause No. as per Tender	Bidders Query / Clarification	BGL/ MECON's CLARIFICATIONS
13)	General	--	The Queries & Replies thus issued shall form part of the Tender Document and shall be taken care of before submission of the bid.